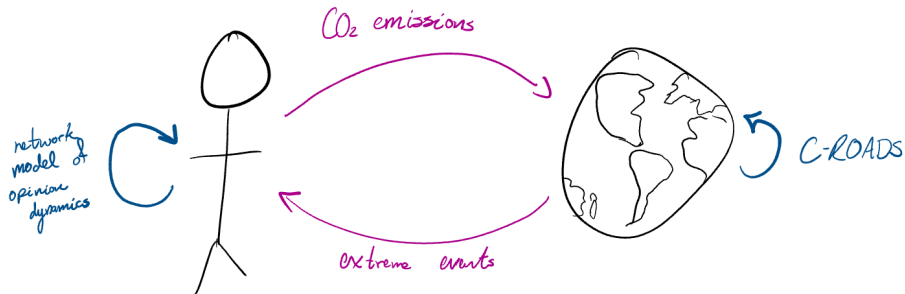


The effect of leaders and citizens on a coupled social-climate model

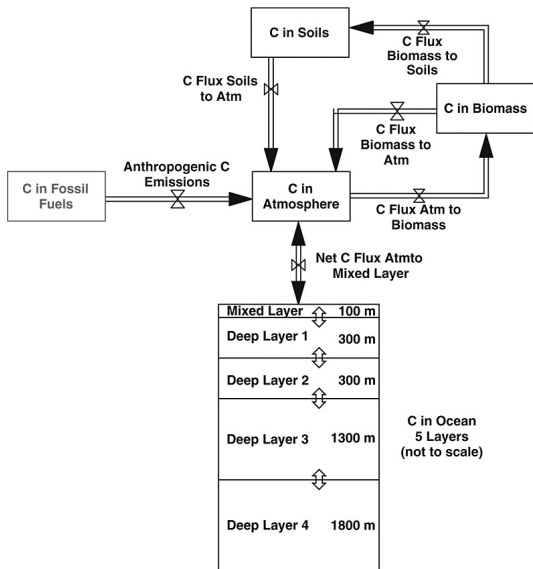
Sarah Wyse

University of British Columbia - Okanagan
Climate Change Scenarios and Financial Risk 2022

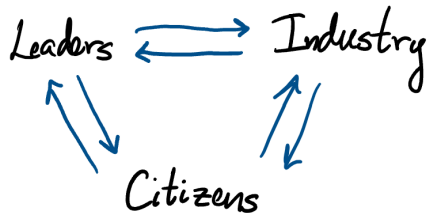
Coupled Social-Climate Model



Climate Model (C-ROADS)



Sterman et al., 2012
Beckage et al., 2018



Social-Climate Model

